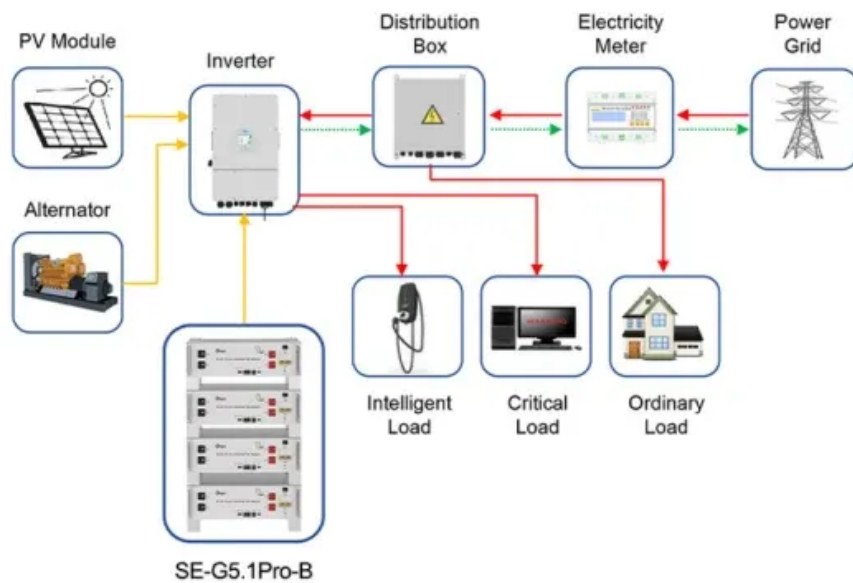


SolarInvert Energy Solutions

How to change the base station battery to a high current



Application scenarios of energy storage battery products



Overview

How do you replace a battery in a base station?

To replace batteries in a SimpliSafe base station, rotate the base counterclockwise (CCW) to remove it, then remove the batteries and replace them while ensuring the (-) and (+) orientation. When disposing of NiMH batteries, they should be recycled.

What type of batteries does the base station use?

Your SimpliSafe Base Station is fitted with NiMH rechargeable batteries, which are constantly recharging as long as the Base Station is plugged in. The base station model is SSBS3.

What should I do if my Base Station is not connected to AC?

If you are seeing a "Power Outage" warning, you'll want to check if there is power at your location, and that the Base Station is properly connected to AC. But if you ever need to replace your Base Station's batteries, you can find a step-by-step guide [here](#).

How do you remove a NiMH battery from a base station?

Remove the power plug from the bottom of the base station to expose one screw. Remove the screw, rotate the base counterclockwise, and it will pull off. Remove the NiMH batteries and replace them while ensuring the correct (-) and (+) orientation. When disposing of NiMH batteries, they should be recycled.

What determines the current delivered by a battery?

The current delivered by a battery is determined by its voltage and the resistance of the connected load. A battery will have an internal resistance that will limit the maximum current the battery will deliver into a short circuit and will cause the apparent voltage of the battery to decrease with higher currents. Thanks for your answer!!!.

Do I need to add additional resistance to a battery?

You do not need to add any additional resistance. Also, 6 Ah is the C rating of the battery. The C and discharge rate is limited by the battery internal resistance, which leads to heating during charge and discharge. If you add cooling to the battery it can sustain a higher discharge rate, but you should consult the manufacturer.

How to change the base station battery to a high current



How to modify the current of a battery both ...

May 18, 2025 · From what I've come to understand, a higher voltage source leads to a higher current from source to the destination. Example: On a 1.5V battery ...

[Get Started](#)

What Are the Critical Aspects of Telecom Base Station Backup Batteries?

Mar 16, 2025 · Telecom base station backup batteries are essential for ensuring uninterrupted communication by providing reliable, long-lasting power during outages. Critical aspects ...



[Get Started](#)



Relationship between base station battery capacity and current

What is the traditional configuration method of a base station battery? The traditional configuration method of a base station battery comprehensively considers the importance of the 5G base ...

[Get Started](#)

Upgrading or Replacing Your Ring Alarm Base Station

We've made it easier to replace and upgrade your Base Station from a Ring Alarm to the Ring Alarm Pro version. The app will help you save all of your existing Ring Alarm devices and ...



[Get Started](#)



BMS Overcurrent Protection: Indispensable for ...

Sep 20, 2023 · MOKO Energy's BMS and Battery Board Solution is the Best in Over-current Protection Overcurrent protection refers to the lithium battery in ...

[Get Started](#)

Main Causes of Shortened Battery Lifespan in Base Stations

From the current usage of base station batteries, the most common issues are rapid capacity loss, short lifespan, and frequent site outages. Battery quality from major VRLA manufacturers ...



[Get Started](#)

?Base Station , SimpliSafe Support Home



How To Change The Base Station's Siren Volume The Base Station's siren has four volume settings: Off, Low, Medium, and High, and by default it is set to ...

[Get Started](#)

How to Battery Power a High Current Project

Jul 12, 2017 · We show you the best batteries and battery technologies for powering mobile systems with high current requirements.

[Get Started](#)



How do I increase the current a battery delivers? [closed]

Jan 28, 2022 · The current delivered by a battery is determined by its voltage and the resistance of the connected load. A battery will have an internal resistance that will limit the maximum ...

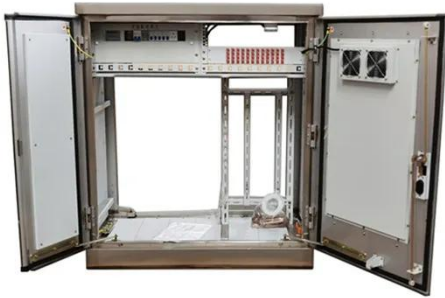
[Get Started](#)

Optimal Lithium Battery Charging: A Definitive ...

Mar 12, 2024 · Unlock the secrets of charging lithium battery packs correctly

for optimal performance and longevity. Expert tips and techniques revealed in our ...

[Get Started](#)



Optimal configuration of 5G base station energy storage

Mar 17, 2022 · Abstract: The high-energy consumption and high construction density of 5G base stations have greatly increased the demand for backup energy storage batteries. To maximize ...

[Get Started](#)

Telecom Base Station Backup Power Solution: ...

Jun 5, 2025 · Designing a 48V 100Ah LiFePO4 battery pack for telecom base stations requires careful consideration of electrical performance, thermal ...

[Get Started](#)



How To Extend The Life Of Base Station Lithium Battery And ...



Sep 7, 2018 · The lithium battery charging current limit parameter can be adjusted in the base station combination switching power supply. Firstly, according to the change of the load ...

[Get Started](#)

BQ25619: How to increase charging current

Jul 30, 2024 · I have tried changing IINDPM (in register 0) and ICHG (in register 2) but the best I seem to get is a charging current of about 450mA (this is measured by a BQ27542 chip that is ...



[Get Started](#)



How To Replace Base Station Batteries , SimpliSafe Support

...

You will likely never need to replace your Base Station's batteries as they are rechargeable and meant to last. The batteries in the Base Station are Nickel Metal Hydride (NiMH) ...

[Get Started](#)

Detailed explanation of high current battery

Aug 16, 2025 · Understanding the power

of a battery is important to determine the appropriate use of that battery and the rate and flow of current is one of the

...

[Get Started](#)



Build a high constant-current battery discharge circuit

Apr 14, 2019 · I am trying to figure out how to make a circuit that can regulate the current of a discharging battery. Right now I have a setup running where I monitor the amperage (with a ...

[Get Started](#)

Maintenance Points for Telecom Base Station Batteries

(1) Insulating mats should be arranged in the battery pack maintenance channel.
(2) Batteries of different manufacturers, capacities, and models are strictly prohibited from being used in the ...

[Get Started](#)



Base station energy storage battery installation

A base station energy storage battery is a crucial component of



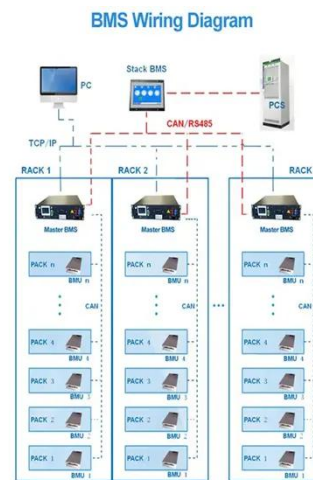
telecommunication infrastructure, designed to improve the efficiency and reliability of network operations. 1. These batteries ...

[Get Started](#)

Overview of Telecom Base Station Batteries

Definition Telecom base station battery is a kind of energy storage equipment dedicatedly designed to provide backup power for telecom base stations, ...

[Get Started](#)



How To Extend Battery Life Power Station: Expert ...

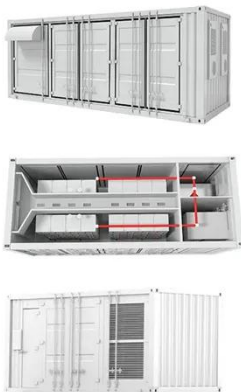
May 4, 2025 · To extend the battery life of a power station, follow best practices for usage and maintenance. Avoiding overcharging and deep discharges is ...

[Get Started](#)

?Changing batteries in base station , SimpliSafe Support Home

Aug 16, 2020 · Your SimpliSafe Base Station is fitted with NiMH rechargeable batteries, which are constantly recharging as long as the Base Station is plugged in. If you are seeing a "Power ...

[Get Started](#)



Replacing My Base Station and Transfer Service to a New Base Station

There may be a point where you will need to transfer your system and service to a new or different Base Station, such as replacing a faulty Base Station or transferring to a new Base Station ...

[Get Started](#)

How to prolong the battery life of the power supply of the base station

This paper analyzes the causes of battery damage during the operation of base station power supply, and puts forward the methods to extend the service life of base station battery. ...

[Get Started](#)



What is a base station energy storage battery? , NenPower



Mar 7, 2024 · A base station energy storage battery is a crucial component of telecommunication infrastructure, designed to improve the efficiency and reliability of network operations. 1. These ...

[Get Started](#)

Base Station Battery Upgrade? , SimpliSafe Support Home

Apr 17, 2021 · Base Station Battery Upgrade? I recently pulled the batteries from my SS3 base station and see that they are 1000 mili amp hour, nickel metal hydride rechargables. Is there a ...

[Get Started](#)



How to Design a High-Current Buck Converter , Video , TI

Nov 7, 2014 · Computing, Cloud, and Communications systems such as Rack or Blade Servers and Ethernet Switches, have several high-current rails up to 30A that require precise regulation, high density, high efficiency, low BOM count, and excellent thermal performance. Traditionally, a step ...

[Get Started](#)



How To Replace Base Station Batteries

You will likely never need to replace your Base Station's batteries as they are rechargeable and meant to last. The Base Station takes four (4) 1.2V, ...

[Get Started](#)



How to prolong the battery life of the power supply of the base station

The battery capacity of the base station Shengyang battery generally drops too fast and its service life is short. In a short period of one to two years, the capacity of the battery is only ...

[Get Started](#)

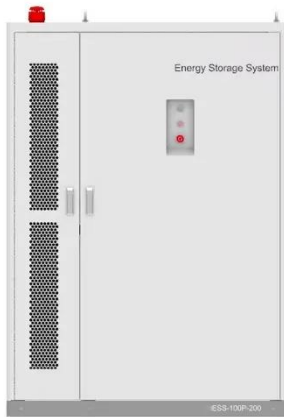
base station energy storage batteries can be changed to high current

Green Base Station Battery Dispatchable Capacity Modeling and ... Green Base Station Battery Dispatchable Capacity Modeling and Optimization Abstract: With the innovation of energy ...

[Get Started](#)



How to Battery Power a High Current Project



Jul 12, 2017 · By paralleling battery cells you effectively add their current capabilities together. So ten 1C battery cells in parallel would be able to ...

[Get Started](#)

What is the purpose of batteries at telecom base ...

Feb 10, 2025 · Among the many types of batteries, why can lead-acid batteries become the first choice for telecom base stations? This is mainly due to its ...

[Get Started](#)



how to modify the base station energy storage battery

Optimal Scheduling Strategy for 5G Base Station Backup Energy This work investigates the energy cost-saving potential by transforming the backup batteries of base stations to a ...

[Get Started](#)



Contact Us

For catalog requests, pricing, or partnerships, please visit:

<https://www.persianasaranda.es>